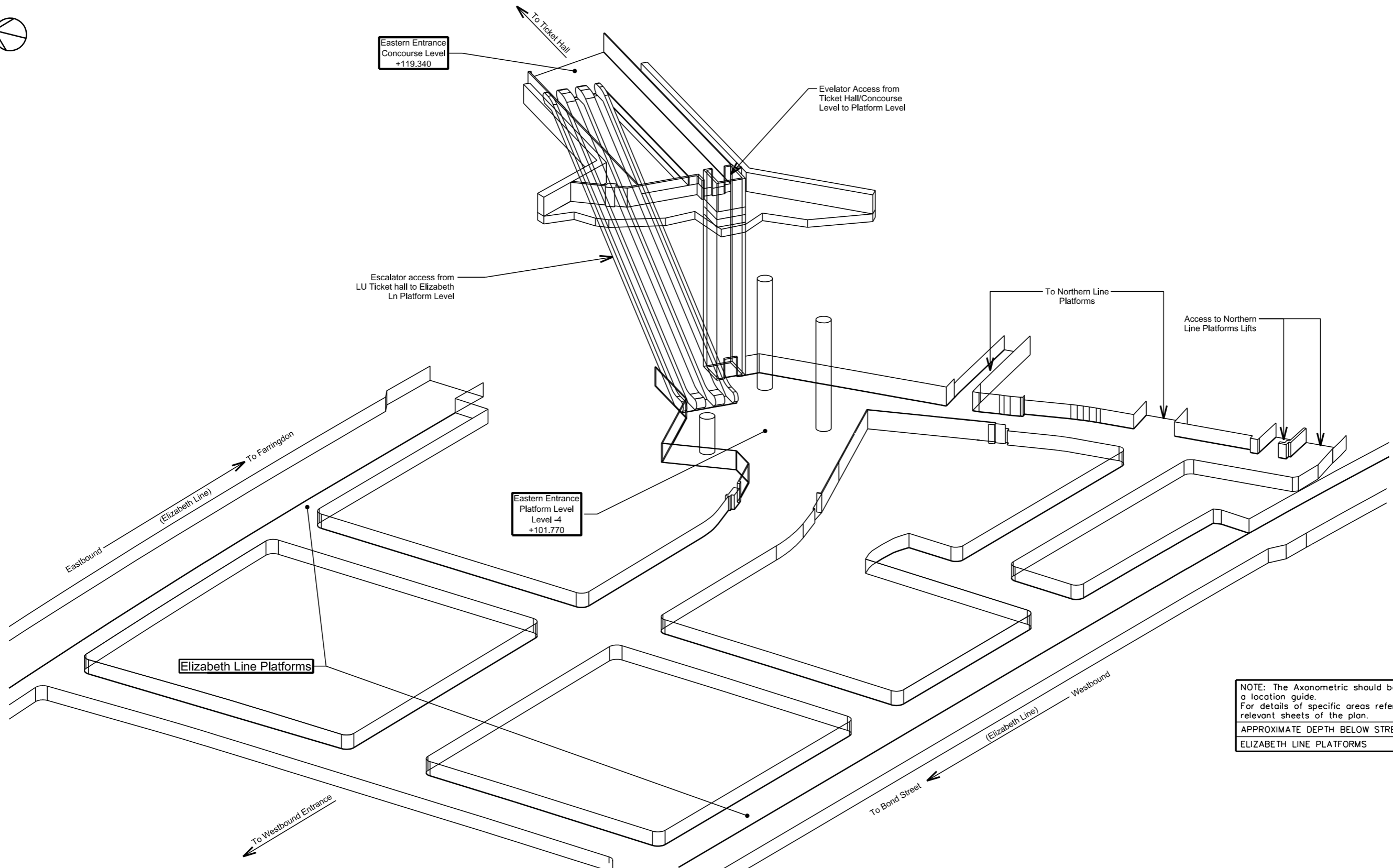


Tottenham Court Road

Elizabeth Line Axonometric Eastern Side



STATION LAYOUT



NOTE: The Axonometric should be used as a location guide. For details of specific areas refer to the relevant sheets of the plan.

APPROXIMATE DEPTH BELOW STREET LEVEL	
ELIZABETH LINE PLATFORMS	~23.0m